














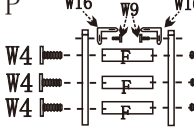


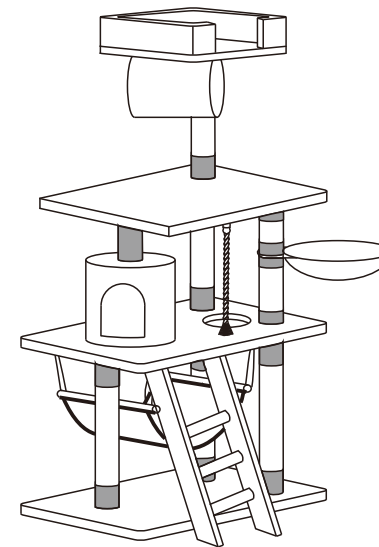
PLEASE NOTE:









IT WILL BE BEST TO SORT AND GROUP ALL THE SAME
SIZE POSTS ACCORDING TO THEIR LENGTH AND
DIFFERENT PARTS TOGETHER PRIOR TO INSTALLATION

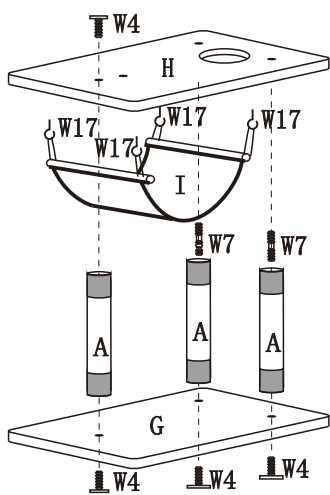


A ø3"*19.7"  4pcs	B ø3"*11.8"  1pc	C ø3"*8"  1pc	D ø3"*8"  1pc
E ø3"*17.7"  1pc	F ø2"*7.5"  3pcs	G 25.5"*19"  1pc	H 25.5"*19"  1pc
I  1pc	J ø10"*H12"  1pc	K 21"*19"  1pc	L ø12"  1pc
M 13.5"*13.5"*H2.5"  1pc	N L16"  1pc	O ø8.0"*7.5"  1pc	P  1pc

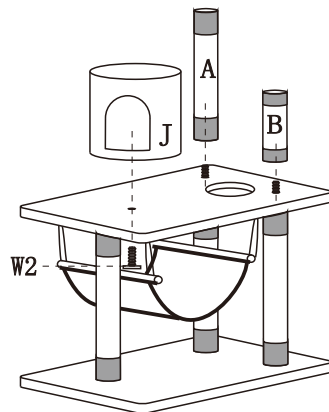
F-67



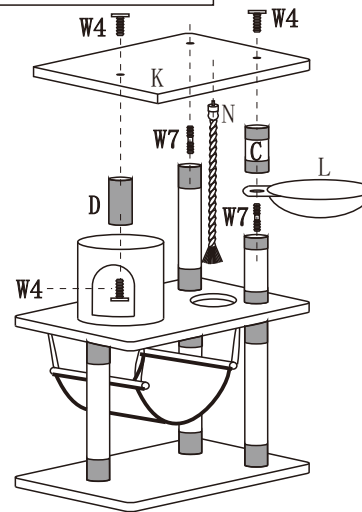
		1pc
 W1	ø 0.31"*0.71"	1pc
 W2	ø 0.31"*1.07"	1pcs
 W4	ø 0.31"*1.38"	14pcs
 W7	ø 0.31"*3.1"	4pcs
 W9	ø 0.23"*0.63"	4pcs
 W16		2pcs
 W17		4pcs



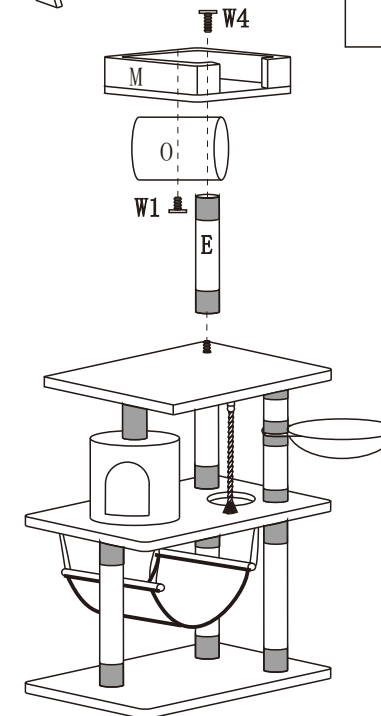
step 1



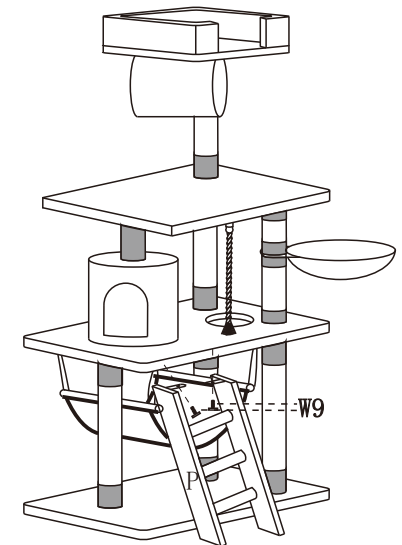
step 2



step 3



step 4



step 5